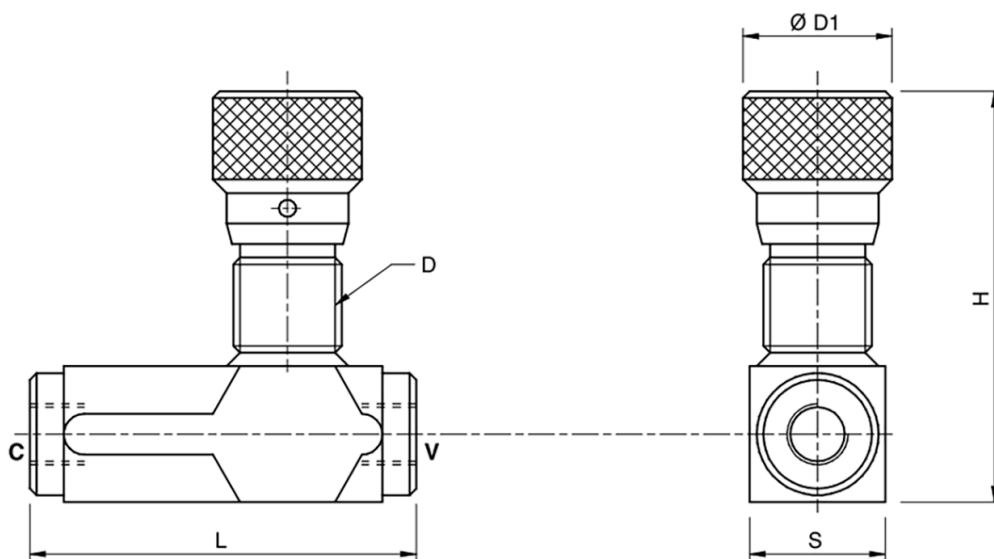


## DATASHEET – DIMENSIONS

### VRFU FLOW REGULATORS



OM Ref.	Type	Max. flow	Max. pressure:	Gas (V - C)	L	D	D1	H (min - max)	S
		l/min	bar		mm				
V0581	VRFU 90° 1/4"	15	350	G1/4"	73	M22 X 1,5	34	77 - 87	22
V0582	VRFU 90° 3/8"	30	350	G3/8"	83	M22 X 1,5	34	83 - 96	25
V0583	VRFU 90° 1/2"	50	350	G1/2"	94	M22 X 1,5	34	88 - 101	30
V0588	VRFU 90° 3/4"	80	320	G3/4"	110	M35 X 1,5	40	110 - 124	40

## UNIDIRECTIONAL

